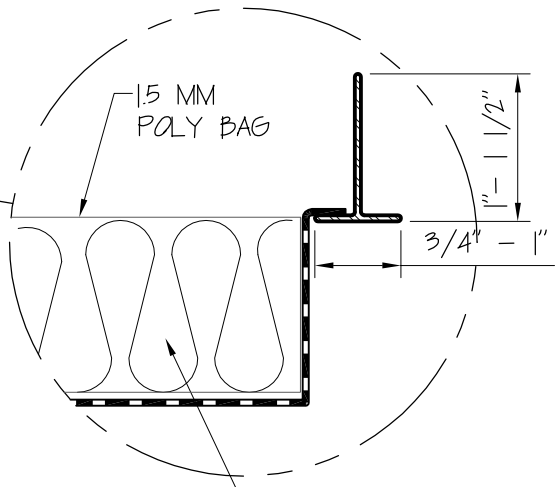
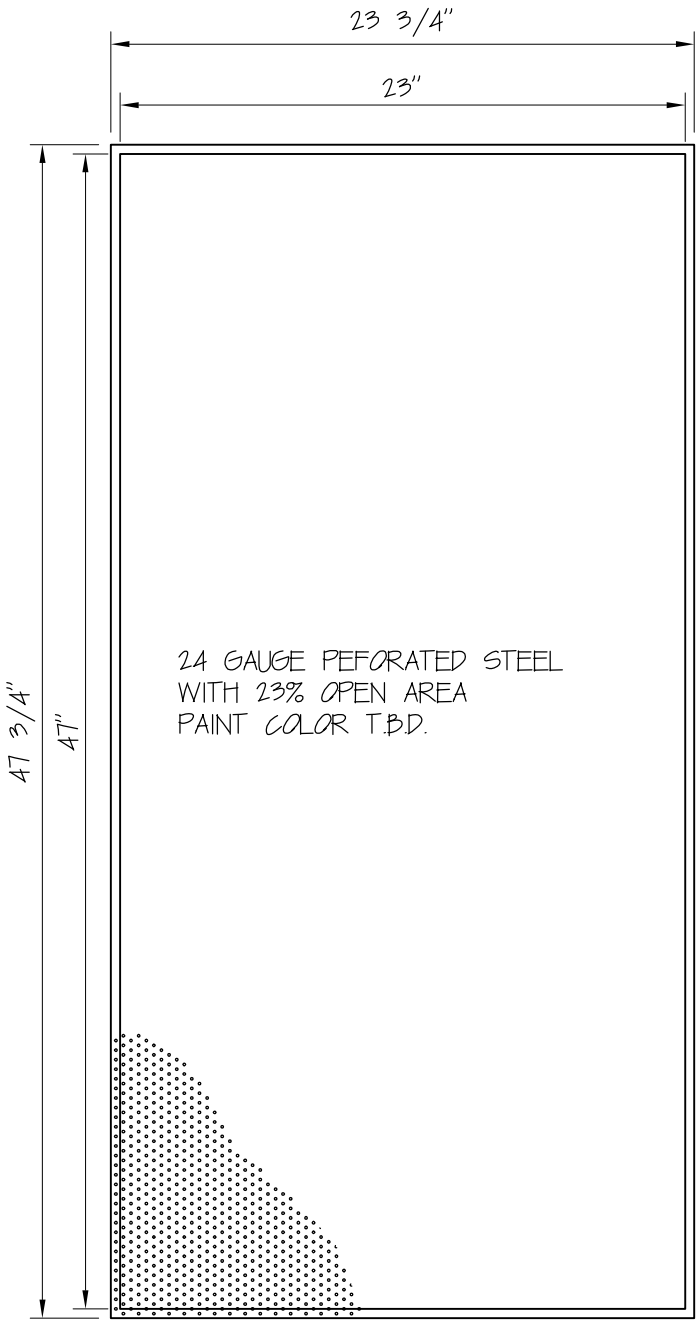


CROSS SECTION



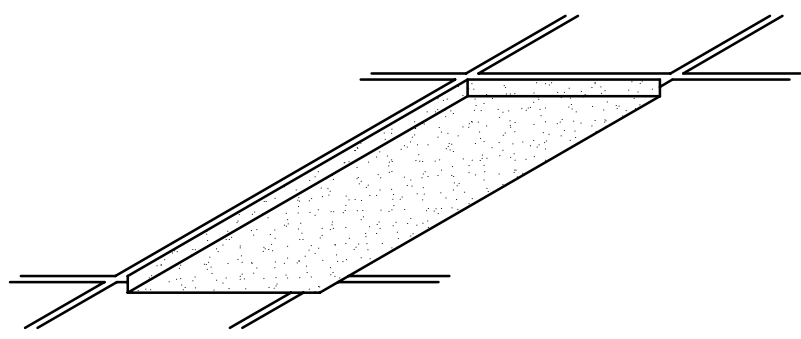
ACOUSTICAL FILL
1 1/2 LBS. / CU. FT.



24 GAUGE PEFORATED STEEL
WITH 23% OPEN AREA
PAINT COLOR T.B.D.

ELEVATION

ACOUSTICAL LAY-IN PANEL (ALP)



ISOMETRIC VIEW
NOT TO SCALE

NOTE:

- 1.) 33% TO 50% UPGRADE
OF CEILING COVERAGE
RECOMMENDED

PROPRIETARY

THIS DOCUMENT CONTAINS PROPRIETARY INFORMATION AND IS SUBMITTED SUBJECT TO THE EXPRESS CONDITION THAT THE INFORMATION CONTAINED HEREIN SHALL BE USED IN NO WAY TO THE DETRIMENT OF THE INTERESTS OF ECKEL INDUSTRIES, INC.

ECKEL
NOISE CONTROL TECHNOLOGIES
ECKEL INDUSTRIES INC. ACOUSTIC DIVISION
155 Fawcett Street Cambridge, Massachusetts 02138 (617) 491-3221

ACOUSTICAL LAY-IN PANEL (ALP)
23" x 47" FACE DIM (2' x 4' GRID)