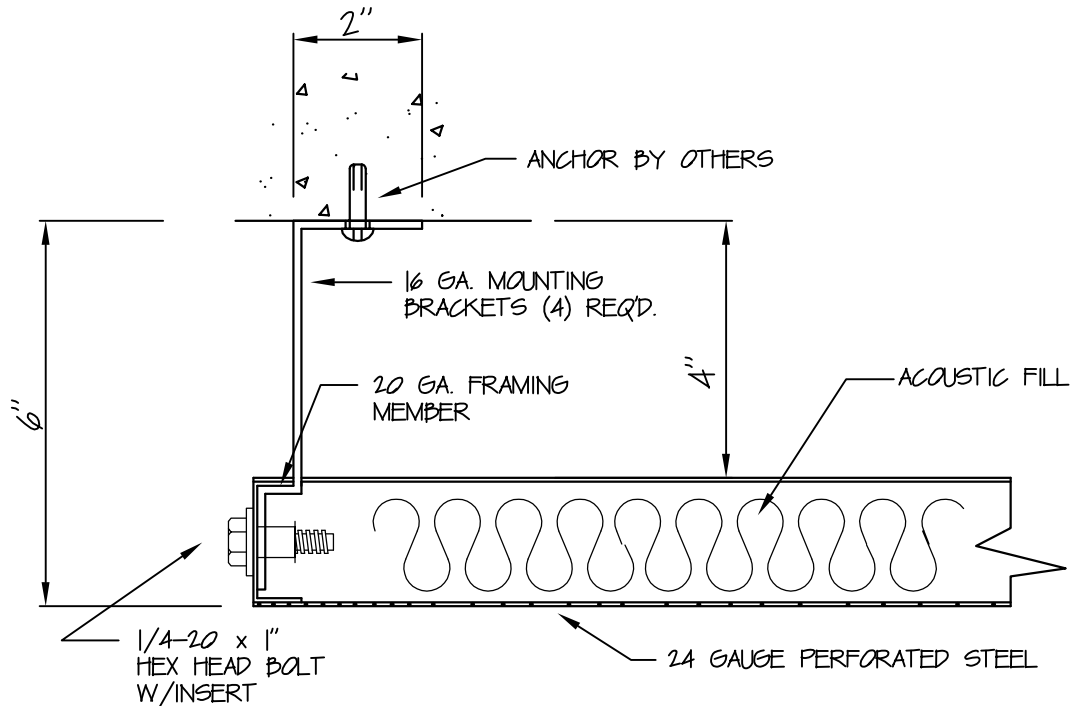
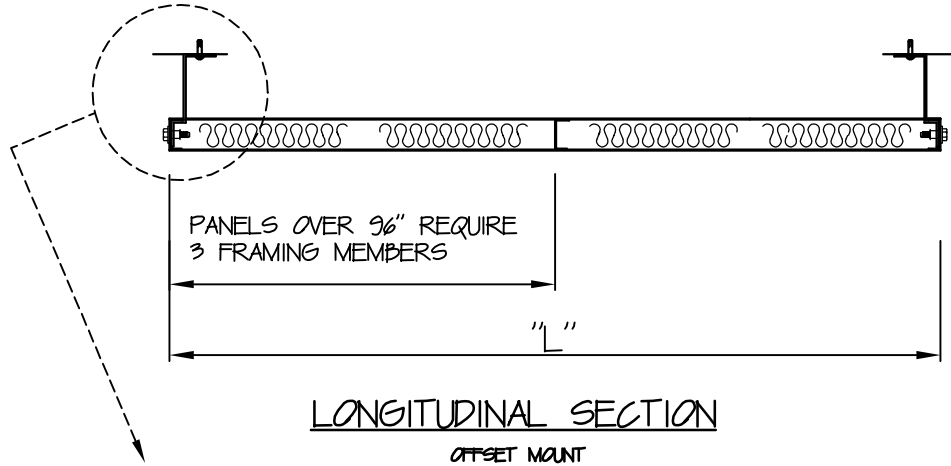
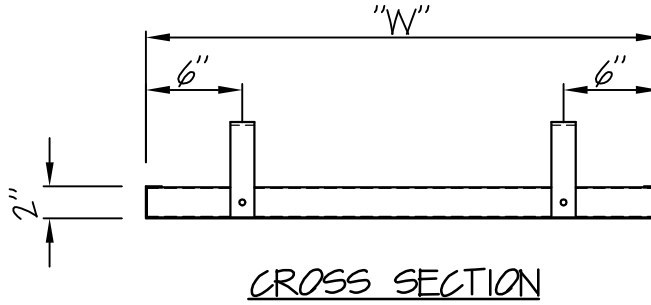


STANDARD SIZES:

" W "	" L "	" A "
30"	114"	4"
30"	90"	4"
30"	66"	4"
30"	54"	4"
30"	42"	4"



**ECKEL**  
NOISE CONTROL TECHNOLOGIES

ECKEL INDUSTRIES INC. ACOUSTIC DIVISION  
155 Fawcett Street Cambridge, Massachusetts 02138 (617) 491-3221

**PROPRIETARY**

THIS DOCUMENT CONTAINS PROPRIETARY INFORMATION AND IS SUBMITTED SUBJECT TO THE EXPRESS CONDITION THAT THE INFORMATION CONTAINED HEREIN SHALL BE USED IN NO WAY TO THE DETRIMENT OF THE INTERESTS OF ECKEL INDUSTRIES, INC.

FLAT FUNCTIONAL PANEL  
FORMED END SERIES (OFFSET MOUNT)